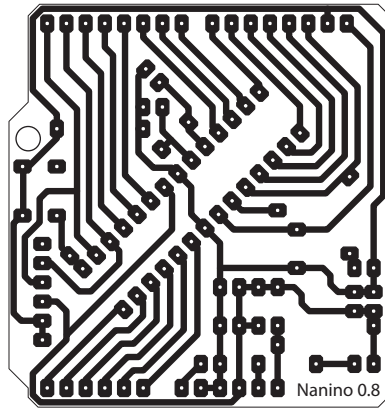
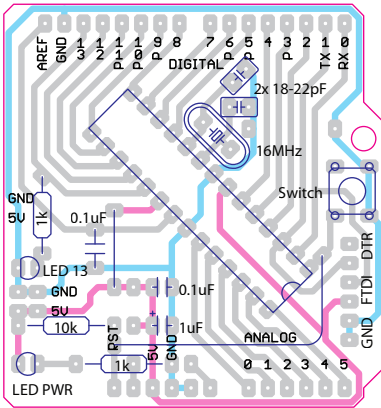


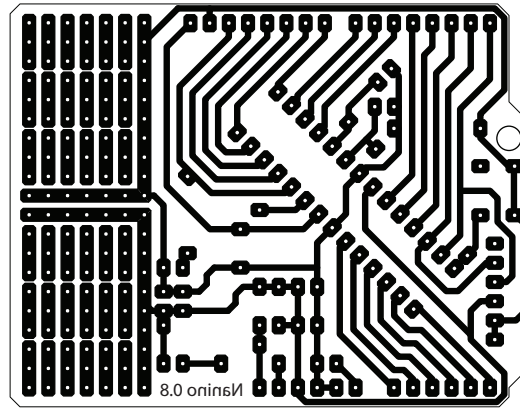
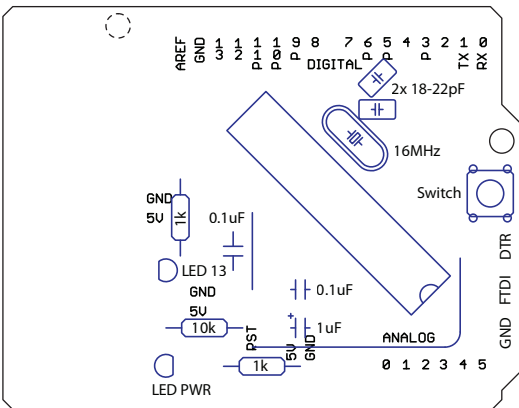
Nanino v0.8 (2013-02-12)

Compact version (no prototype area)
 PCB seen from component side
 (mirrored for toner transfer)
 Latest version @ www.vonkonow.com



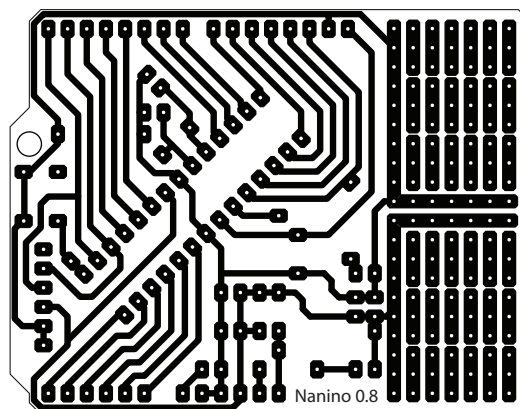
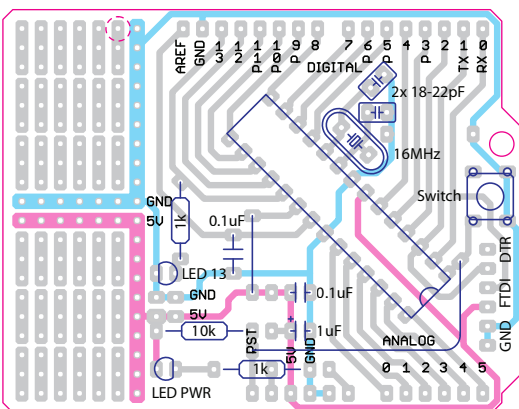
Nanino v0.8 (2013-02-12)

Compact version (no prototype area)
 PCB seen from backside (not mirrored
 for toner transfer)
 Latest version @ www.vonkonow.com



Nanino v0.8 (2013-02-12)

Prototype version
 PCB seen from component side
 (mirrored for toner transfer)
 Latest version @ www.vonkonow.com



Nanino v0.8 (2013-02-12)

Prototype version
 PCB seen from backside (not mirrored
 for toner transfer)
 Latest version @ www.vonkonow.com