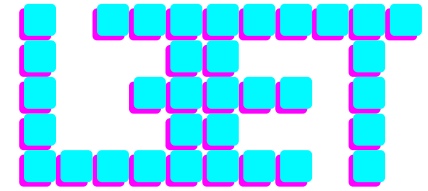


# LEET chord keyboard

Visit [www.vonkonow.com](http://www.vonkonow.com) for details, files and build instruction.



## Scale tonic

Press, hold and use chord keys to select tonic.

- \* **Naturals** (white piano keys)
- \* **Sharps** (black piano keys)

## Chord length

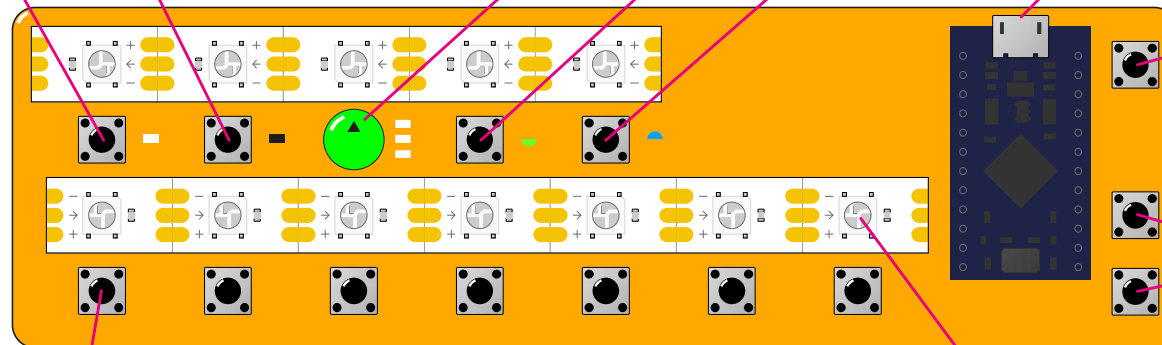
Number of notes.  
(1-7)

## Scale

- \* **Major**
- \* **Natural minor**

## MIDI in and out over USB

Connect to a USB host that generates the sound  
(Synth, DAW or mobile phone).



## MIDI channel select

Press, hold and use octave keys to select channel.  
(Channel is restored at boot).

## Root Octave select

The keyboard starts at octave 4  
(ranging from 0-9).

## 7 chord root keys

Plays a chord in selected scale  
(example: 4 notes in E-major)

## RGB LEDs

Triggered by keys or incoming MIDI.  
Each note (pitch) has a unique color.

The velocity is fixed to 50% (can be changed in firmware).  
There is no aftertouch, nor pitch bend in this version.

Dimensions: 154x45x8mm (6x1.8x0.3 inches).