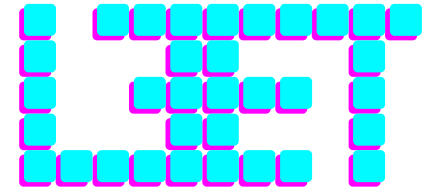


LEET Control

Visit www.vonkonow.com for details, files and build instruction.

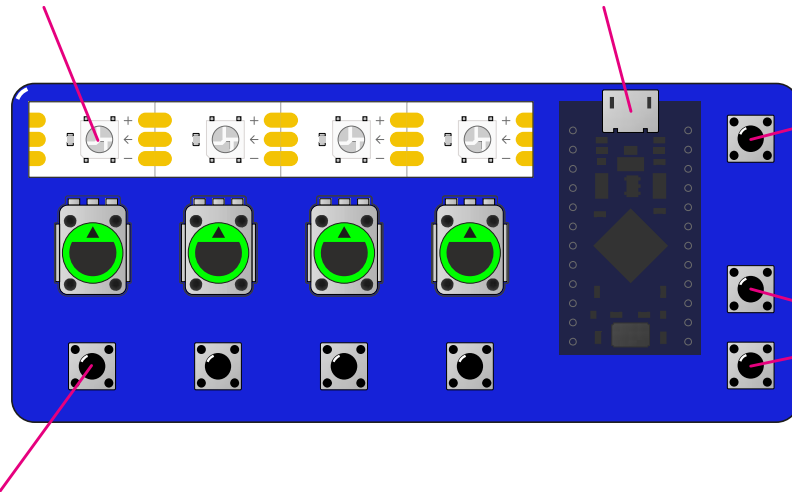


RGB LEDs

Shows value of knob (by changing color)

MIDI in and out over USB

Connect to a USB host that generates the sound (Synth, DAW or mobile phone).



MIDI channel select

Press, hold and use octave keys to select channel. (Channel is restored at boot).

Midi Command offset select

The keyboard starts at 0

4 extra keys sends control 64 when pressed and 0 when released. (function can be configured in firmware, like toggle mute.)

The same hardware can be used as arpeggiator by downloading a different firmware.

Dimensions: 104x45x8mm (6x1.8x0.3 inches).